

A forum for woodworkers of all skill levels to share their common interests

NORTHWEST WOODWORKERS' GUILD

THE SAWDUST NEWS

September 2009

<http://www.nwwguild.org>

Next Meeting:

**Leitz Tooling
Systems**

Thursday

**September 24
2009**

6:30 PM

Woodcraft Supply

5963 Corson Avenue
Seattle, Washington
206-767-6394

(directions: Page 2)

Guild Officers

President—Jack Martin
jm4sailing@yahoo.com
425-885-4282

Treasurer/Membership
Bob Schaefer
bobanddoriss@earthlink.net
206-282-4905

Webmaster
Tom Howorth
thoworth@gmail.com

Library—Don Strong
dswood4fun@aol.com
206-285-7733

Newsletter—Steve Krauss
catbert@oz.net
425-746-5067

President's Message

— by Jack Martin

The Northwest Woodworkers' Guild is having an Election of Officers which will be completed at our meeting at Woodcraft Supply on Thursday, September 24, 2009. A ballot is included on the last page of your newsletter. Please complete this and email to or mail your ballot to me before 9/24/09, or you can bring it to the meeting on 9/24/09. It is very important that all our members vote. Instructions will be listed on the ballot.



Special Thanks to Chris Green for his excellent presentation on the Router table at our August meeting. Chris' control of the router, production of small pieces is amazing and his original, unique designs are "second to none". Chris, thank you for sharing with us your expert methods in Router table use. Special thanks also to Woodcraft Supply for hosting the meeting and donating drawing prizes and David Beyl and other members donating drawing prizes.... Thank you, Thank you.

Meeting Schedule for September, October, December and January

September meeting at Woodcraft Supply on Thursday, 9/24/09 at 6:30 p m
Mark Johnson, Sales/Service Rep. for Leitz Tooling Systems will provide a Power Point Presentation on Leitz Tooling operations and sharpening methods.

October Meeting will be at Edensaw on Thursday, 10/29/09 at 6:30 p m.
Dennis Stickle will host the meeting and provide us with an excellent presentation of Edensaw's product line and tour of the facility.

December meeting at Woodcraft Supply on Thursday, 12/03/09 at 6:30 p m.
Bill Wiley will present his unique program on sharpening.

January meeting at Woodcraft Supply on Thursday, 01/28/10 at 6:30 p m.
Sally Wright will demonstrate Intarsia by bring a small bear in different stages of completion. She will show a project from pattern layout, cutting out the wood, shaping and gluing up. Sally will provide a source list for patterns, discuss tips for closing gaps and choosing wood.

Our next meeting at Woodcraft Supply on Thursday 09/24/09 at 6:30 p m.
Mark Johnson will discuss the operations of Leitz Tooling Systems as outlined above.....I look forward to seeing you on the 24th and **remember to bring your show an tell items. ALSO.....if you have not submitted your election ballot----bring it to the meeting!!!!!!**

A forum for woodworkers of all skill levels to share their common interests



Northwest Woodworkers Guild
Steve Krauss, Newsletter Editor
16204 Main St
Bellevue, WA 98008

Member's Discounts

All members in good standing receive a membership card that will allow them to get a discount at the stores listed below:

Crosscut Hardwoods
4100—1st Avenue S.,
Seattle 98134
10% Discount

Rockler Woodworking
3823 Stone Way N.
Seattle 98103
10% Discount (not valid on power tools)

Woodcraft Supply
5963 Corson S.,
Seattle 98108
10% Discount (not valid on power tools or workbenches)

Edensaw Woods
8032 S. 194th St.
Kent, WA 98032

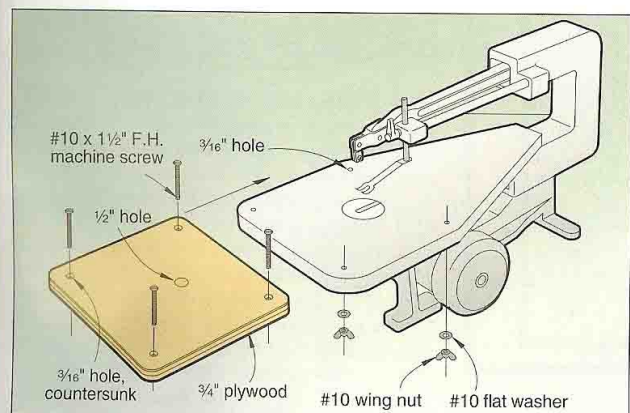
Please present your current membership card to receive your discount.

Monthly Shop Tip Contributed by Herb Stoops

BUILT-UP TABLETOP DOUBLES SCROLLSAW BLADE LIFE

I do a lot of scrollsaw work in a year's time and go through hundreds of blades. Rather than throw the blades away after they dull or lose their set, I mounted an auxiliary top on my saw table as shown *below*. The top raises the workpiece up so I'm sawing with "new" teeth on the "old" blades.

—Frank Seiden, Tucson, Ariz.



Website Needs Your Project Photos!

Tom Howorth, our Webmaster, is adding profile pages for each member. He needs photographs of your projects to add to these profiles. Please send your photos to him at thoworth@gmail.com, or bring your photos to the meeting.

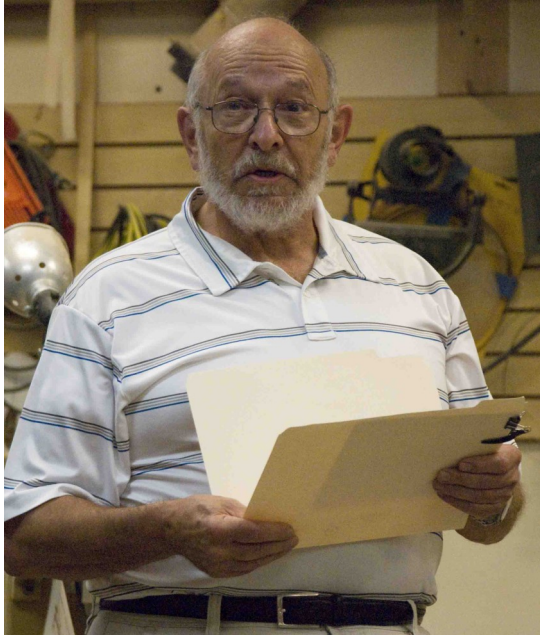
Shop Space Needed:

Dr. William Thieme, a retired orthopedic surgeon, will be moving into a retirement community and will need a space to have a workshop. If you can help, his number is 206-525-4398

Directions to Woodcraft Supply

From I-5: Take the Michigan Street Exit. Just before the traffic light on Michigan, you will see Woodcraft Supply in the shopping center on your right. The address is 5963 Corson Avenue, Seattle, 206-767-6394.

August Meeting Photos



August Meeting Photos



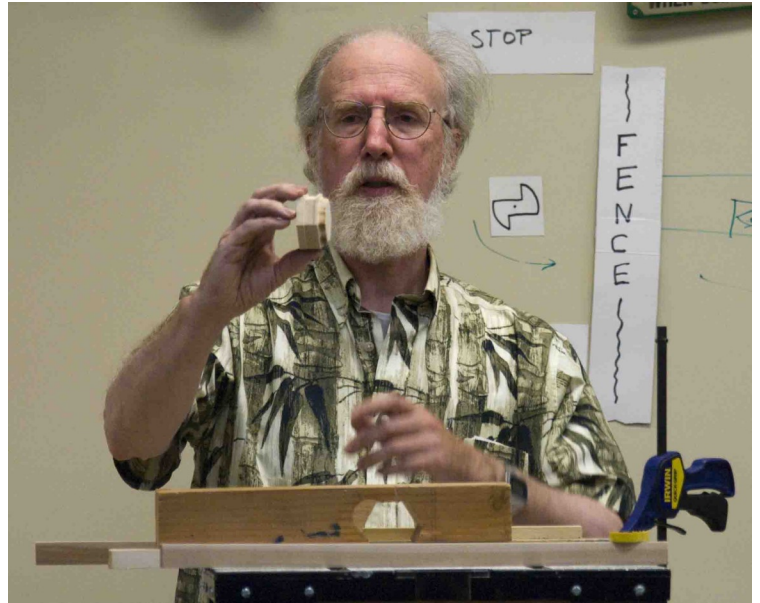
August Meeting Photos



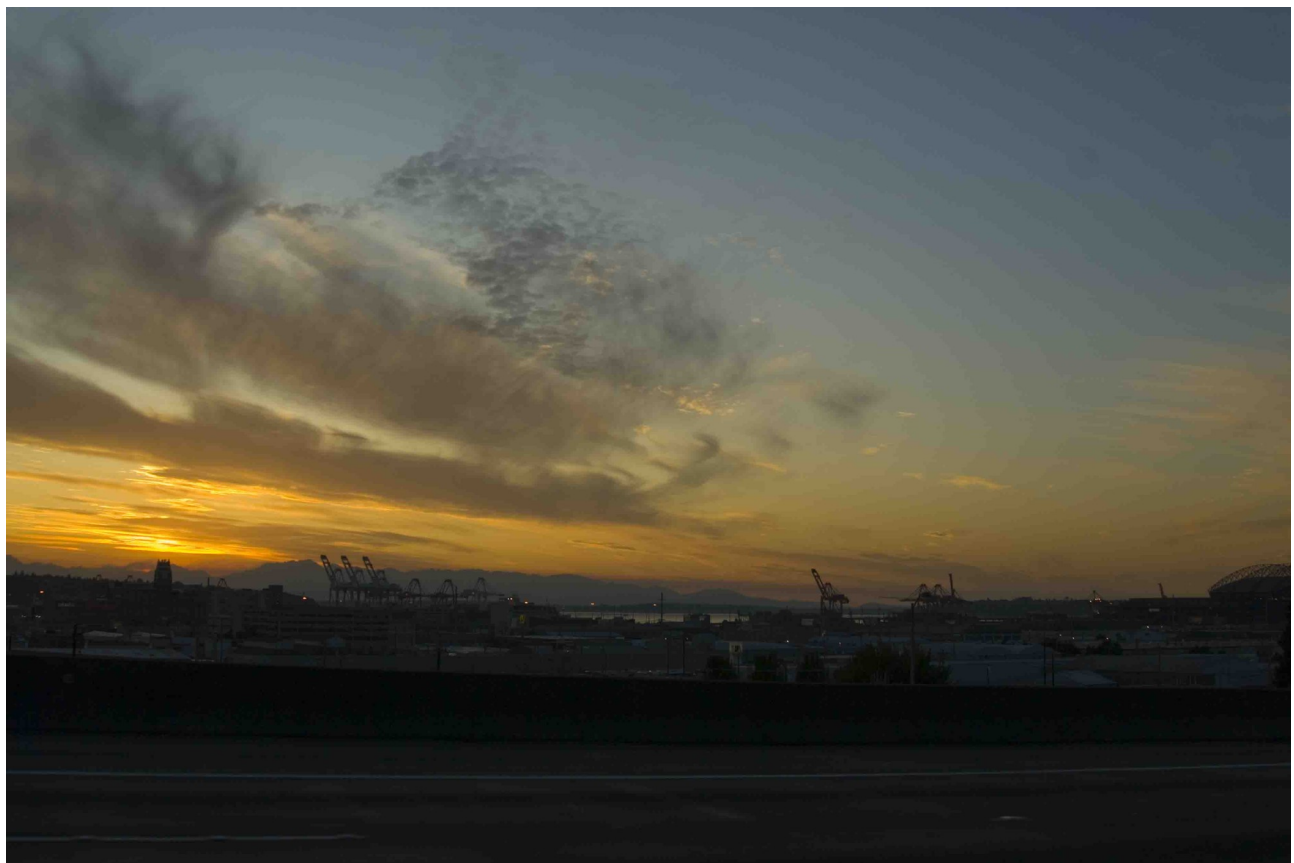
August Meeting Photos



August Meeting Photos



August Meeting Photos



N.W. Woodworkers Guild Election of Officers Ballot 09/24/2009

<u>Office</u>	<u>NAME</u>	Check Here
President	Bob Schaefer	<input type="checkbox"/>
Write in name	_____	<input type="checkbox"/>
V.P.Adm/Membership	Sally Wright	<input type="checkbox"/>
Write in Name	_____	<input type="checkbox"/>
Secretary	Rick Tydings	<input type="checkbox"/>
Write in Name	_____	<input type="checkbox"/>
Treasurer	Chris Green	<input type="checkbox"/>
Write in Name	_____	<input type="checkbox"/>
Programs	Al Falco	<input type="checkbox"/>
	Don McNutt	<input type="checkbox"/>
	Jack Martin	<input type="checkbox"/>
	Ed Moore	<input type="checkbox"/>
	Ray Ross	<input type="checkbox"/>
Write in Name	_____	<input type="checkbox"/>
Raffle	Tom Murray	<input type="checkbox"/>
	Herb Stoops	<input type="checkbox"/>
Write in Name	_____	<input type="checkbox"/>

Notes

1- Check this box if you want to vote for all the candidates nominated

2- If you want to nominate yourself or another Guild member write in that name in the area designated for the position(s) you desire.

3- Ballots must be delivered by 9/24/09 to be counted into the election.

4- Please contact Jack Martin or Rick Tydings with any questions you have on the election or Ballot.